

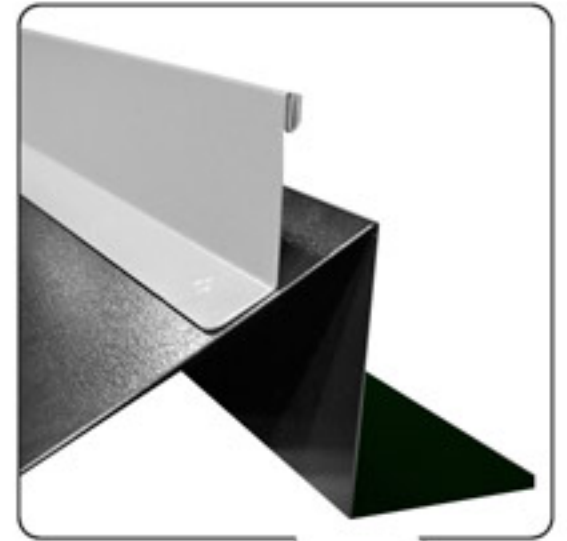
Assembly & Installation Instructions

1

Find a clear flat surface for assembling of the Ezy Taper & its contents

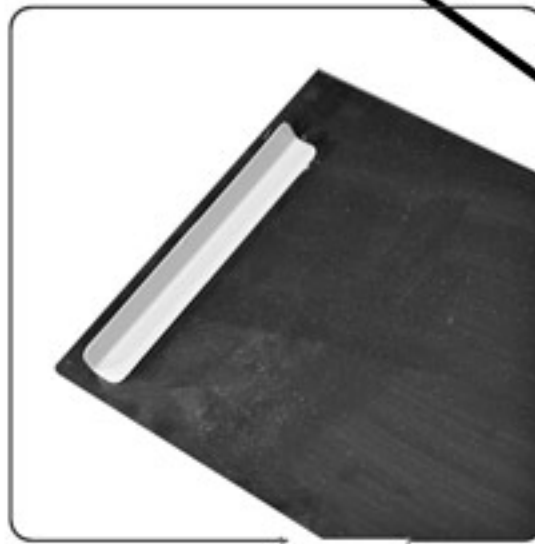
2

Attach Cutting Guide to the Base Panel using the Washers & Wingnuts ready attached to cutting guide



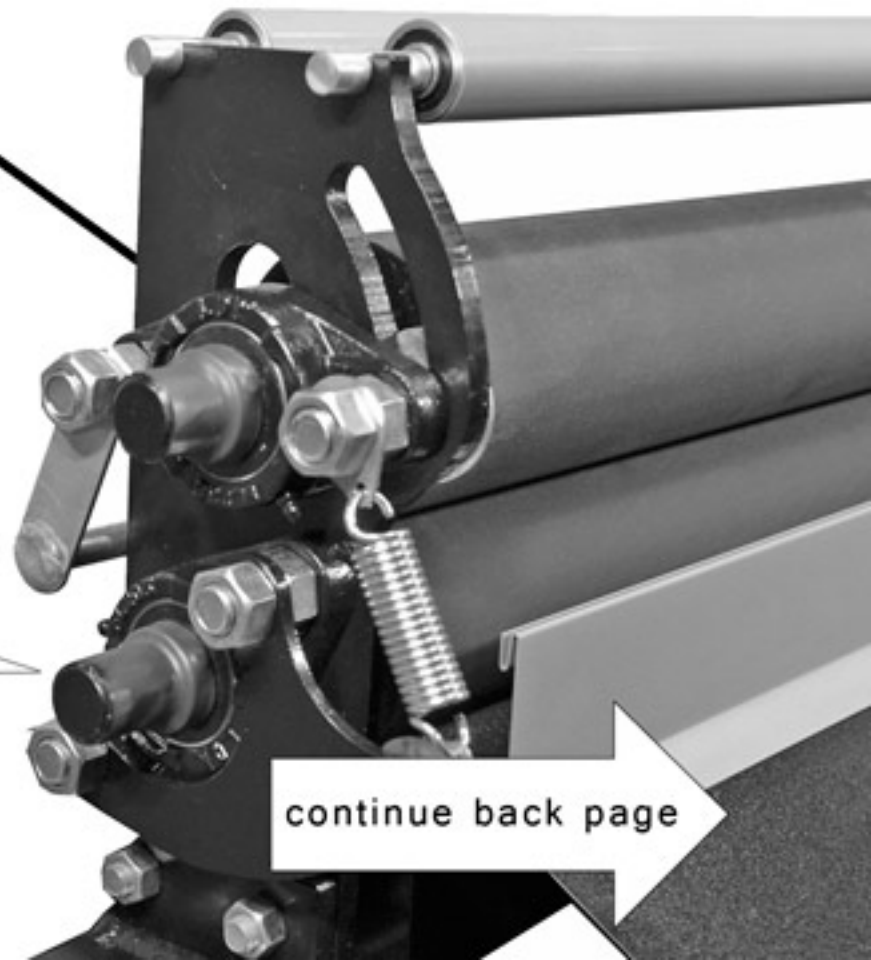
3

Attach Angle Guide to the 2nd Base Panel on the preferred side of operation



4

Using a knife, carefully cut & remove Protective Coating on Shaft desired for handle mounting. Shaft selection may be Left, Right or Bottom

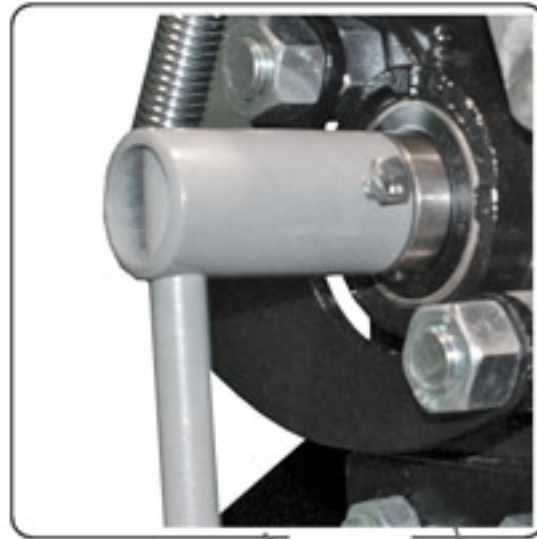


continue back page

Assembly & Installation Instructions (Cont)

5

Mount the Handle over the now Exposed Shaft. Using the Small Bolt provided align with Small Dimple in shaft & tighten



6

Your Ezy Taper is now fully assembled & ready for bench mounting using the 2 X m6 holes on both sides of the base

