

# Accessories Assembly Instructions

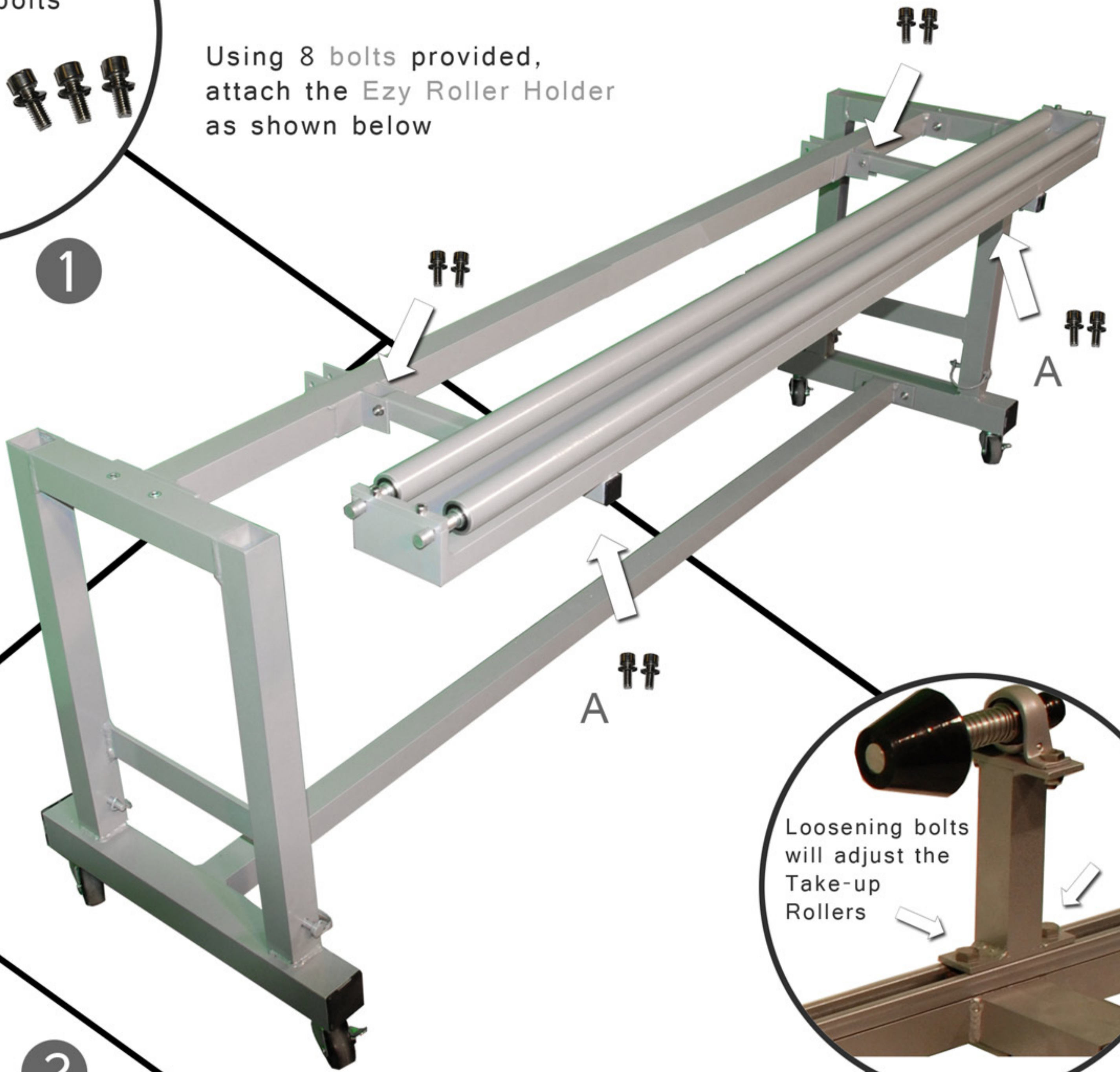
## Roll Holder / Take-up Roller

Assembling of Roll Holder requires the 8 M6 x 15mm bolts provided



1

Using 8 bolts provided, attach the Ezy Roller Holder as shown below



2

Assembling of Take-up Roller requires the 4 M6 x 15mm bolts provided

